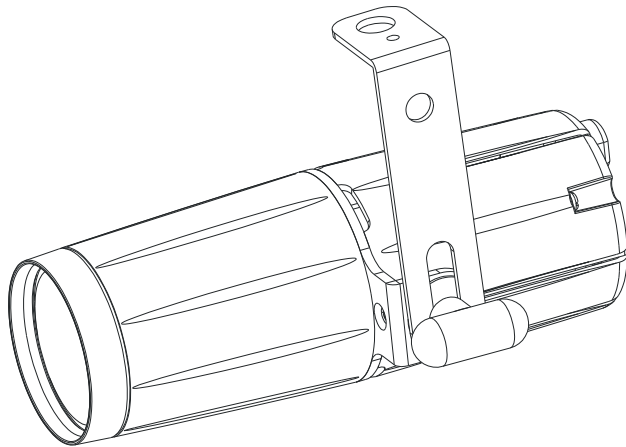




PINSPOT LED II



Pinspot LED II SPECIFICATIONS:

LED:	3W LED
Working Position:	Any safe working position
Power Input Voltage:	100~240V AC 50/60Hz
Weight:	1lbs./ 0.5Kgs.
Dimensions:	5.25"(L) x 4"(W) x 2.5"(H) 184 x 99 x 61mm
Warranty:	2 Year (730 days)



Unpacking: Thank you for purchasing the Pinspot LED II by ADJ Products, LLC. Every Pinspot LED II has been thoroughly tested and has been shipped in perfect operating condition. Carefully check the shipping carton for damage that may have occurred during shipping. If the carton appears to be damaged, carefully inspect your fixture for any damage and be sure all accessories necessary to operate the unit has arrived intact. In the case damage has been found or parts are missing, please contact our toll free customer support number for further instructions. Do not return this unit to your dealer without first contacting customer support.

Introduction: The Pinspot LED II is part of ADJ's continuing pursuit for creating high quality affordable fixtures. The Pinspot LED II is a simple, small LED Pin Spot. This pin spot is light weight and compact which makes it a great piece for mobile DJ's, architectural lighting, or lighting effect. The Pinspot LED II is also suitable for theaters, studios, retail stores, and other similar locations.

Lens Change: The Pinspot LED II comes with a standard 3 degree lens already attached. Included in the box is an optional 12 degree lens. To switch lenses simply remove the retainer ring in front of the current lens, carefully remove the lens, and attach the 12 degree lens. Replace the retainer ring and the switch is complete.

Installation: The unit should be mounted using a mounting clamp (not provided), affixing it to the mounting bracket that is provided with the unit. Always ensure that the unit is firmly fixed to avoid vibration and slipping while operating. Always ensure that the structure to which you are attaching the unit is secure and is able to support a weight of 10 times the unit's weight. Also, always use a safety cable that can hold 12 times the weight of the unit when installing the fixture. The equipment must be installed by a professional, and it must be installed in a place where it is out of the reach of people's grasp.

Caution! No user serviceable parts inside do not attempt repairs. In the event your Pinspot LED II should fail, contact ADJ.

Customer Support: ADJ Products, LLC provides a toll free customer support line, to provide set up help and to answer any question should you encounter problems during your set up or initial operation. You may also visit us on the web at www.adj.com for any comments or suggestions. Service Hours are Monday through Friday 8:00 a.m. to 4:30 p.m. Pacific Standard Time.

Voice: (800) 322-6337 -mail: support@americandj.com

MANUFACTURER'S LIMITED WARRANTY



USA: <https://www.adj.com/pages/warranty-information>



EU: https://www.adj.eu/terms_and_conditions