



# **EVENT FACADE 2**

User Manual

©2026 ADJ Products, LLC all rights reserved. Information, specifications, diagrams, images, and instructions herein are subject to change without notice. ADJ Products, LLC logo and identifying product names and numbers herein are trademarks of ADJ Products, LLC. Copyright protection claimed includes all forms and matters of copyrightable materials and information now allowed by statutory or judicial law or hereinafter granted. Product names used in this document may be trademarks or registered trademarks of their respective companies and are hereby acknowledged. All non-ADJ Products, LLC brands and product names are trademarks or registered trademarks of their respective companies.

**ADJ Products, LLC** and all affiliated companies hereby disclaim any and all liabilities for property, equipment, building, and electrical damages, injuries to any persons, and direct or indirect economic loss associated with the use or reliance of any information contained within this document, and/or as a result of the improper, unsafe, insufficient and negligent assembly, installation, rigging, and operation of this product.

**ADJ PRODUCTS LLC World Headquarters**

6122 S. Eastern Ave. | Los Angeles, CA 90040 USA

Tel: 800-322-6337 | Fax: 323-582-2941 | [www.adj.com](http://www.adj.com) | [lsupport@adj.com](mailto:lsupport@adj.com)

**ADJ Supply Europe B.V.**

Junostraat 2 | 6468 EW Kerkrade | Netherlands

Tel: +31 45 546 85 00 | Fax: +31 45 546 85 99 | [www.adj.eu](http://www.adj.eu) | [service@adj.eu](mailto:service@adj.eu)

**Europe Energy Saving Notice**

Energy Saving Matters (EuP 2009/125/EC)

Saving electric energy is a key to help protecting the environment. Please turn off all electrical products when they are not in use. To avoid power consumption in idle mode, disconnect all electrical equipment from power when not in use. Thank you!

**DOCUMENT VERSION**



Due to additional product features and/or enhancements, an updated version of this document may be available online.

Please check [www.adj.com](http://www.adj.com) for the latest revision/update of this manual before beginning installation and/or programming.

Date	Document Version	Software Version	DMX Channels	Notes
08/02/2023	1.0	N/A	N/A	Initial release
05/19/2026	1.1	N/A	N/A	Updated: General Info, Cleaning, Specifications

# CONTENTS

<b>General Information</b>	<b>4</b>
<b>Limited Warranty (USA Only)</b>	<b>5</b>
<b>Warranty Registration</b>	<b>6</b>
<b>Installation</b>	<b>7</b>
<b>Cleaning   Dimensional Drawings</b>	<b>8</b>
<b>Specifications   Optional Accessories</b>	<b>9</b>

# GENERAL INFORMATION

## INTRODUCTION

This device is a great solution to professionally conceal your DJ equipment and create an elegant professional look at the same time. Perfect for anyone looking for a lightweight, portable, and fast set-up facade to enhance their image. This device includes a lightweight metal frame and fabric/scrim panel set. The stretchable fabric/scrim panels are easily removable for cleaning or can be interchanged for different black and white color panel combinations. Transportation and storage is also simple with the included zippered carry bag. No tools are required to set-up or break-down the device, and facade panels break down into individual pieces for easy transport.

## UNPACKING

Carefully check the shipping carton for damage that may have occurred during shipping. If the carton is damaged, carefully inspect the device for damage, and be sure all accessories necessary to install and operate the device have arrived intact. In the event that damage has been found or parts are missing, please contact our customer support team for further instructions. Please do not return this device to your dealer without first contacting customer support. Please do not discard the shipping carton in the trash. Please recycle whenever possible.

## BOX CONTENTS

Zippered Transport Carrying Bag (x1)  
Metal Top Section Frames (x4)  
Metal Bottom Section Frames (x4)  
White Fabric/Scrim Panels (x4)  
Black Fabric/Scrim Panels (x4)

## CUSTOMER SUPPORT

Contact ADJ Service for any product related service and support needs. Also visit [forums.adj.com](https://forums.adj.com) with questions, comments or suggestions.

**ADJ SERVICE USA** - Monday - Friday 8:00am to 4:30pm PST  
323-582-2650 | Fax: 323-832-2941 | [support@adj.com](mailto:support@adj.com)

**ADJ SERVICE EUROPE** - Monday - Friday 08:30 to 17:00 CET  
+31 45 546 85 60 | Fax: +31 45 546 85 96 | [support@adj.eu](mailto:support@adj.eu)

**REPLACEMENT PARTS** please visit [parts.adj.com](https://parts.adj.com)



## IMPORTANT NOTICE!

**DO NOT WASH THE FABRIC SCRIM! DOING SO MAY REDUCE OR ELIMINATE THE FABRIC'S FLAME RETARDANT QUALITY AND INTRODUCE POTENTIAL SAFETY HAZARDS!**

**THIS UNIT CONTAINS NO USER SERVICEABLE COMPONENTS. DO NOT ATTEMPT ANY REPAIRS YOURSELF, AS DOING SO WILL VOID YOUR MANUFACTURER'S WARRANTY. DAMAGES RESULTING FROM MODIFICATIONS TO THIS DEVICE AND/OR THE DISREGARD OF SAFETY INSTRUCTIONS AND GUIDELINES IN THIS MANUAL VOID THE MANUFACTURER'S WARRANTY AND ARE NOT SUBJECT TO WARRANTY CLAIMS AND/OR REPAIRS.**

# LIMITED WARRANTY (USA ONLY)

- A. ADJ Products, LLC hereby warrants, to the original purchaser, ADJ Products, LLC products to be free of manufacturing defects in material and workmanship for a prescribed period from the date of purchase (see specific warranty period on reverse). This warranty shall be valid only if the product is purchased within the United States of America, including possessions and territories. It is the owner's responsibility to establish the date and place of purchase by acceptable evidence, at the time service is sought.
- B. For warranty service, you must obtain a Return Authorization number (RA#) before sending back the product-please contact ADJ Products, LLC Service Department at 800-322-6337. Send the product only to the ADJ Products, LLC factory. All shipping charges must be pre-paid. If the requested repairs or service (including parts replacement) are within the terms of this warranty, ADJ Products, LLC will pay return shipping charges only to a designated point within the United States. If the entire instrument is sent, it must be shipped in its original package. No accessories should be shipped with the product. If any accessories are shipped with the product, ADJ Products, LLC shall have no liability whatsoever for loss of or damage to any such accessories, or for the safe return thereof.
- C. This warranty is void if the serial number has been altered or removed; if the product is modified in any manner which ADJ Products, LLC concludes, after inspection, affects the reliability of the product, if the product has been repaired or service by anyone other than ADJ Products, LLC factory unless prior written authorization was issued to purchaser by ADJ Products, LLC; if the product is damaged because not properly maintained as set forth in the instruction manual.
- D. This is not a service contract, and this warranty does not include maintenance, cleaning or periodic check up. During the period specified above, ADJ Products, LLC will replace defective parts at its expense with new or refurbished parts, and will absorb all expenses for warranty service and repair labor by reason of defects in material or workmanship. The sole responsibility of ADJ Products, LLC under this warranty shall be limited to the repair of the product, or replacement thereof, including parts, at the sole discretion of ADJ Products, LLC. All products covered by this warranty were manufactured after August 15, 2012, and bear identifying marks to that effect.
- E. ADJ Products, LLC reserves the right to make changes in design and/or improvements upon its products without any obligation to include these changes in any products theretofore manufactured.
- F. No warranty, whether expressed or implied, is given or made with respect to any accessory supplied with products described above. Except to the extent prohibited by applicable law, all implied warranties made by ADJ Products, LLC in connection with this product, including warranties of merchantability or fitness, are limited in duration to the warranty period set forth above. And no warranties, whether expressed or implied, including warranties of merchantability or fitness, shall apply to this product after said period has expired. The consumer's and/or Dealer's sole remedy shall be such repair or replacement as is expressly provided above; and under no circumstances shall ADJ Products, LLC be liable for any loss or damage, direct or consequential, arising out of the use of, or inability to use, this product.
- G. This warranty is the only written warranty applicable to ADJ Products, LLC Products and supersedes all prior warranties and written descriptions of warranty terms and conditions heretofore published.

## LIMITED WARRANTY PERIODS

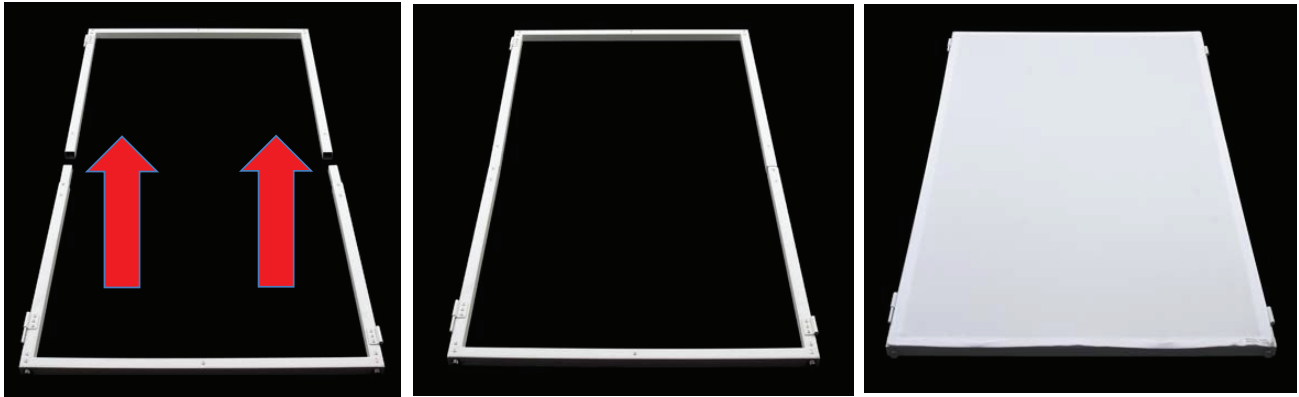
- **Non L.E.D. Lighting Products = 1-year (365 days) Limited Warranty** (Such as: Special Effect Lighting, Intelligent Lighting, UV lighting, Strobes, Fog Machines, Bubble Machines, Mirror Balls, Par Cans, Trussing, Lighting Stands etc. excluding LED and lamps)
- **Laser Products = 1 Year (365 Days) Limited Warranty** (excludes laser diodes which have 6 month limited warranty)
- **L.E.D. Products = 2-year (730 days) Limited Warranty** (excluding batteries which have a 180 day limited warranty)  
Note: 2 Year Warranty only applies to purchases within the United States.
- **StarTec Series = 1 Year Limited Warranty** (excluding batteries which have a 180 day limited warranty)
- **ADJ DMX Controllers = 2 Year (730 Days) Limited Warranty**

## **WARRANTY REGISTRATION**

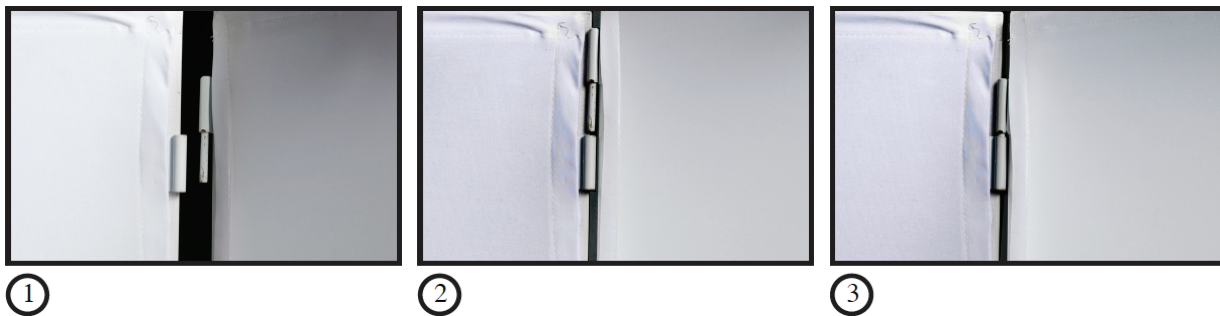
This device is covered by a 1 year (365 days) limited warranty. All returned service items, whether under warranty or not, must be freight pre-paid and accompanied by a return authorization (R.A.) number. The R.A. number must be clearly written on the outside of the return package. A brief description of the problem as well as the R.A. number must also be written down on a piece of paper and included in the shipping container. If the unit is under warranty, you must provide a copy of your proof of purchase invoice. Items returned without an R.A. number clearly marked on the outside of the package will be refused and returned at customer's expense. You may obtain an R.A. number by contacting customer support.

# INSTALLATION

1. Connect top and bottom metal frame sections together by inserting the bottom section securely into the top section, making sure the hook-and-loop strips of both sections are oriented in the same direction. Also make sure that there are no gaps between the two sections. (see images below left and center). **Note: Bottom metal frame section has 2 rubber feet.**



2. Secure the top and bottom frame sections together by attaching the fabric/scrim color panels to the hook-and-loop strips, starting at the top section and working down towards the bottom section, stretching the fabric/scrim slightly as needed, as shown in the above right image.
3. Repeat steps 1 and 2 for the remaining metal frame sets.
4. Connect the completed facade panels together by aligning the top and bottom hinges and inserting both rotation pins into the hinge sleeves, as illustrated below.



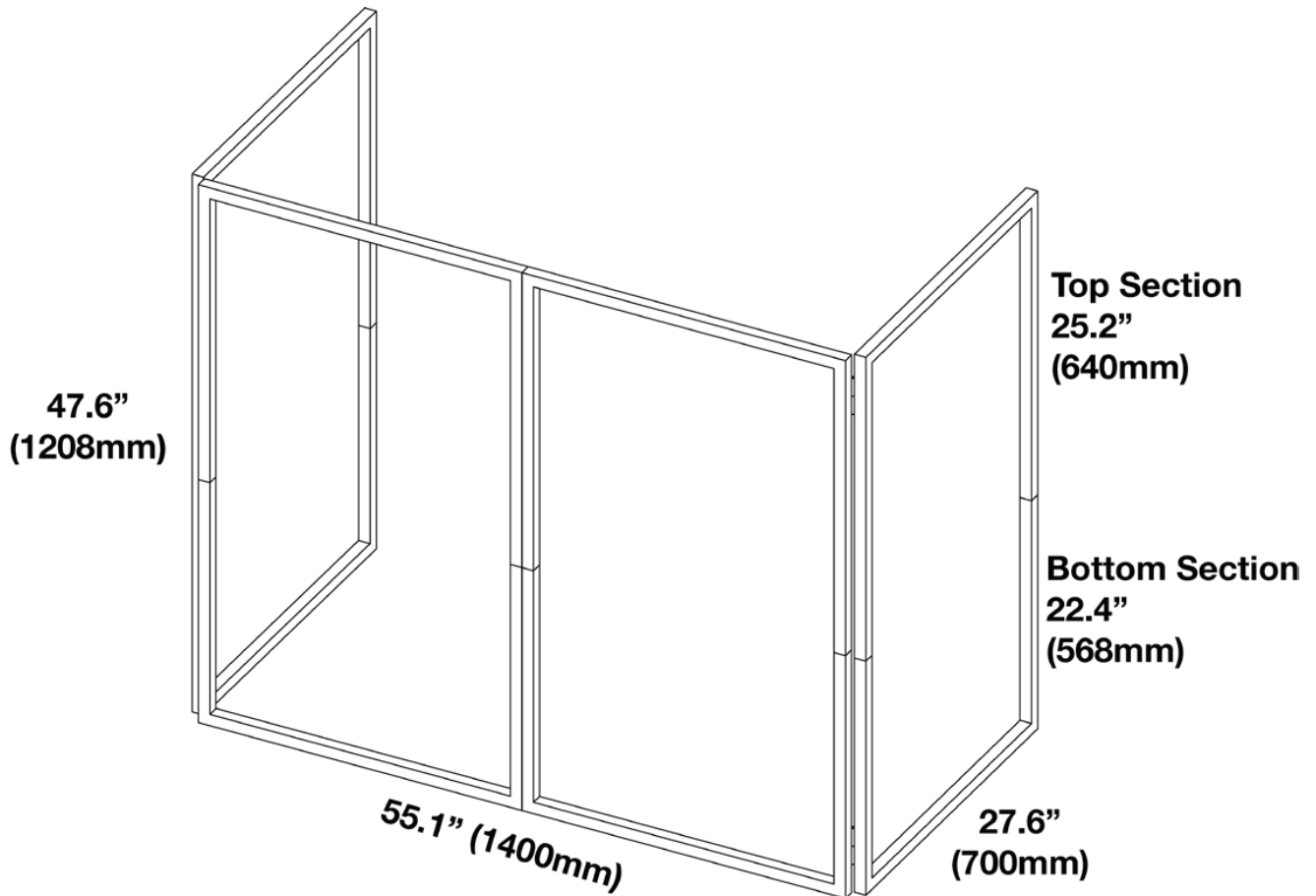
# CLEANING

**DO NOT WASH SCRIM!**



**SCRIM FABRIC IS NOT WASHABLE! DOING SO WILL REDUCE OR ELIMINATE THE FABRIC'S FLAME REDARDANT QUALITY AND CREATE A POTENTIAL SAFETY HAZARD!**

# DIMENSIONAL DRAWINGS



# SPECIFICATIONS

- Frames made of strong and light weight metal
- Detachable hinges and frames - breaks down in half for easier transport and storage
- Includes removable white & black fire retardant scrim
- Includes a carrying bag to protect the frames and scrim during storage and transportation
- Dimensions (LxWxH):
  - Complete Stand: 110.25" x 1" x 47.25" / 2800 x 25.4 x 1200mm
  - Each Panel: 27.5" x 1" x 47.25" / 700 x 25.4 x 1200mm
  - Bag: 49.75" x 29.5" x 6.25" / 1265 x 750 x 159mm
- Weight: 36 lbs. / 16.5 kgs.

# OPTIONAL ACCESSORIES

SKU (US)	SKU (EU)	DESCRIPTION
EVE900	1900000107	Event Facade 2
EVE400	1731000017	Event Facade White Scrim (Scrim Only) (x4)
EVE500	1731000018	Event Facade Black Scrim (Scrim Only) (x4)
EVENT BAG	N/A	Event Facade Carrying Bag (Bag Only)

